

A6496128



Precision Bearings

Precision, Steel Ball Bushing Bearing, 4.000 , Not Self-Aligning, Closed, Not Corrosion Resistant

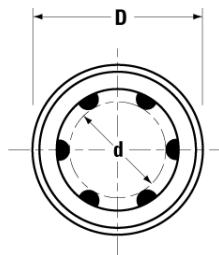
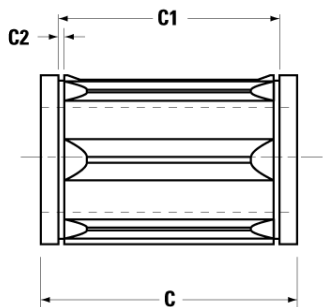
Lead Time: 3 Days

\$1684.78 each[†]

- Precision Steel Ball Bushing bearings offer great improvements in efficiency, productivity, and accuracy over high-friction plain bearings flat-ways.
- The all-steel design makes the bearing product line perfect for replacing plain bearings in high temperature applications.
- The steel sleeve anti-friction recirculating ball bushing provides rigid low drag movement – ~100x lower drag coefficient than a plain contact bearing.
- A coefficient of friction as low as .001. When replacing high friction plain bearings, Precision Steel Ball Bushing Bearings dramatically improve machine productivity and efficiency.

[†]The price shown here is the North American List Price for general reference only. Please Contact Thomson for actual net price and current delivery schedule which will vary with geographic region, quantity ordered and distribution channel. Estimated costs for shipping, packaging and import taxes/duty are not included in this list price. Please contact Thomson Customer Support for more information.

Dimensions



Dimension	Value
C	203.20 mm (8.000 in)
C1	159.13 mm (6.265 in)
C2	3.53 mm (0.139 in)
d	101.60 mm (4.000 in)
D	152.40 mm (6.000 in)

Specifications

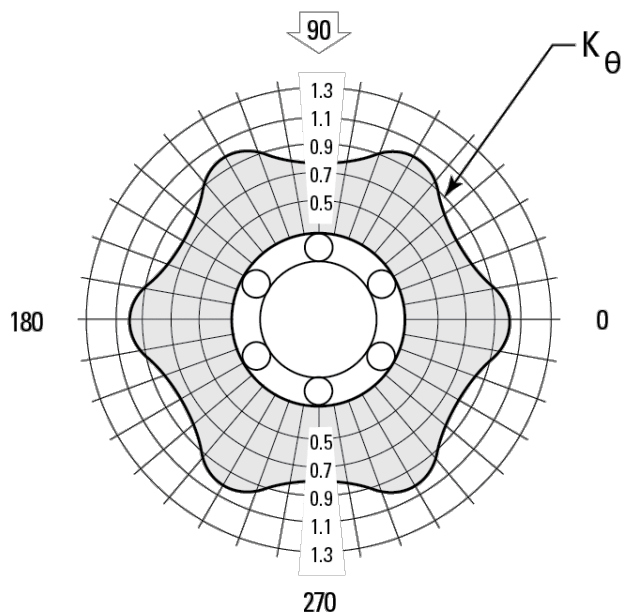
Specifications	Value
Adjustable/Not Adjustable	Not Adjustable
Closed/Open	Closed
Number of Ball Circuits	6

Specifications	Value
Roll Pack	No Roll Pack
Food Grade Rated	Not Food Grade
Self Alignment	Not self-aligning
Single/Twin	Single
Temperature Max	260 °C / 500 °F
Use with shafting class	S
Wipers, Seals	
Weight	9.163 kg / 20.2 lbs
Nominal Diameter	101.600 mm / 4 in
Outer Diameter	152.400 mm / 6 in
Length	203.200 mm / 8 in

Performance

Load Correction Factor, K_{θ}

Performance	Value
Load Capacity, Dynamic	22,241.108 N / 5000 lbf



The actual dynamic load capacity of a Ball Bushing Bearing is determined by the direction of the applied load relative to the bearing circuits. The load correction factor K is found by referring to the polar graph. To determine the actual dynamic load capacity, multiply the proper correction factor (K) by the dynamic load capacity.

Travel Life

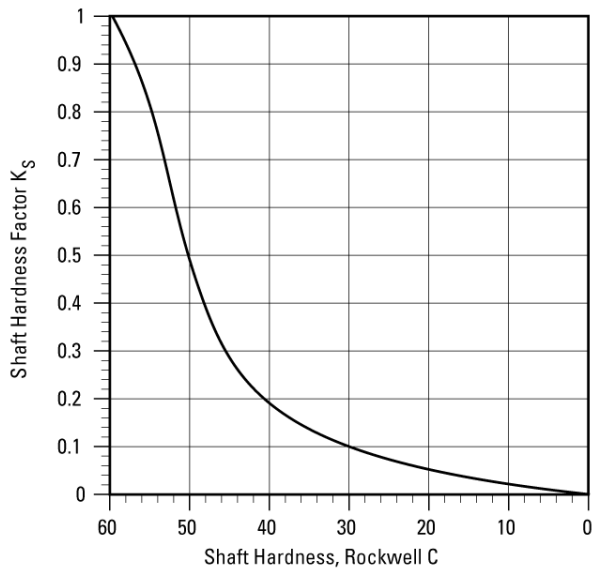
The following formula may be used to determine travel life for bearings with imperial units:

$$L_m = \left(\frac{W}{P} \cdot K_\theta \cdot K_s \right)^3 \cdot 2 \cdot 10^6 \text{ inches}$$

Where: L_m = travel life (in)
 W = dynamic load capacity rating (lbf)
 P = resultant from externally applied loads (lbf)
 K_θ = load correction factor
 K_s = shaft hardness factor

Shaft Hardness factor, K_s

For shafts that do not meet hardness 60 HRC, shaft hardness factor K_s must be applied.



Order Code

A162536-DDSP

Type	Description	Size	Nom. Dia.	Seals Options	Ball Options
A	Precision Steel	4812	.250	Blank	Option Description
XA	Extra Precision Steel	61014	.375		No Seals
ADJ	Adjustable Precision Steel	81420	.500	DD Integral Seals	SP Stainless Steel Balls, Black Oxide Retainer and Sleeve
		101824	.625		NB Nylon Balls
		122026	.750		NBA Alternating Nylon Balls
		162536	1.000		
		203242	1.250		
		243848	1.500		
		324864	2.000		
		406080	2.500		
		487296	3.000		
		6496128	4.000		
				Lube Options	
				DP Dry Pack	
				LL Lubricated with Thomson Linear Lube	
				Other Options	
				RP Roll Pack (no box)	
				OH Oil Hole	

Related Products



4 S CTL

4" Shafting, S Class, Cut to Length

[https://www.thomsonlinear.com/en/product/4 S CTL](https://www.thomsonlinear.com/en/product/4-S-CTL)