



Interactive 3D graphic, click to activate and rotate.  
(3D capable PDF viewer required)

## Your Caster, Wheel & Material Handling Solutions Provider

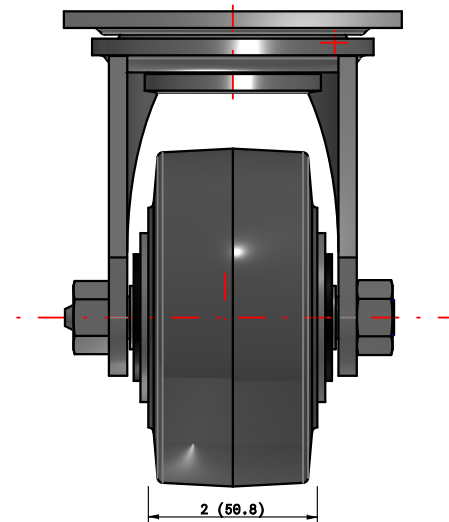
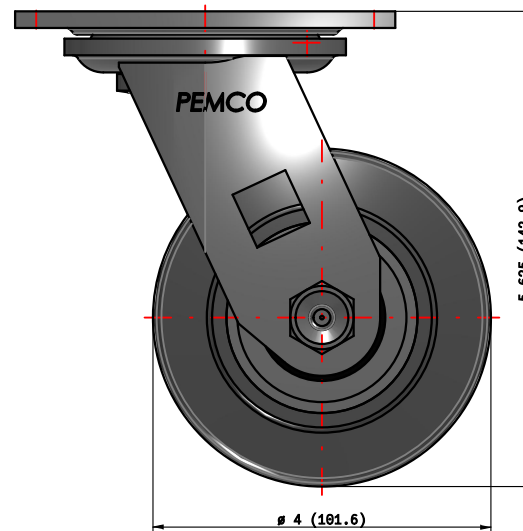
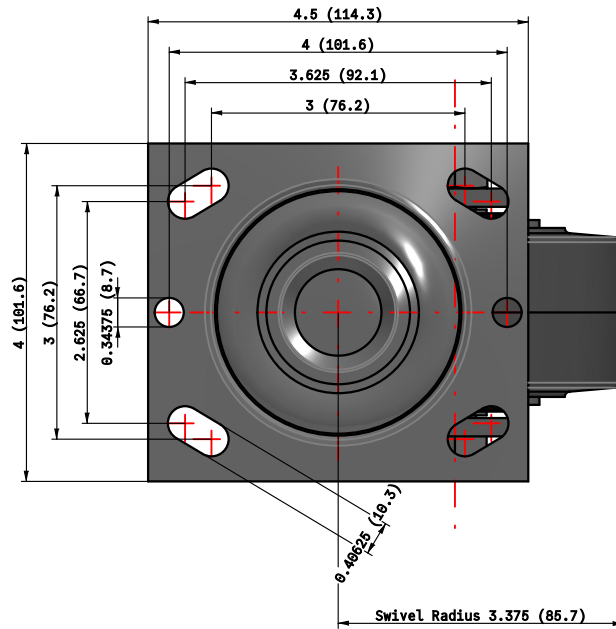
Caster Central is the leading caster and wheel provider for all your mobility and handling needs. With over 150 years in business, we understand the need for reliable mobility solutions. No matter the application, we have high-quality solution for your company's use.

Thanks to our devoted team, we have provided clients with top-quality caster solutions for years. Our customers receive the best solutions for their needs and suitable recommendations from skilled professionals.

| Technical Details     |                      |
|-----------------------|----------------------|
| Part Number           | ES4X2TPR             |
| Series                | E-Line Series        |
| Mounting Options      | Swivel Caster        |
| Wheel Diameter [INCH] | 4.000                |
| Tread Width [INCH]    | 2                    |
| Tread Type            | Thermo-Rubber (Flat) |
| Mount Height [INCH]   | 5 5/8                |
| Swivel Radius [INCH]  | 3 3/8                |
| Wheel Bearing         | Roller               |
| Caster Brake          | None                 |
| Capacity [lbs]        | 300                  |

## Standard Features

- Budget focused family of 2" wide casters and wheels
- Mass-inventoried with a large variety of size, wheel, brake, and accessory options
- 1/4" thick steel leg construction
- Double ball bearing raceways
- 5/8" diameter permanent rivet kingpin
- RoHS compliant industrial zinc finish
- 1/2" axle with grease zerker and lock nut
- NSF listed on select models



Part Number:

**ES4X2TPR**

Series:

**E-Line**

Brand:

**W.T. Hight**

**Caster Central**

div. of W.T. Hight Company  
42 Winter Street, Suite 18  
Pembroke, MA 02359  
800-445-4082  
[www.castercentral.com](http://www.castercentral.com)  
[www.wthight.com](http://www.wthight.com)